

# USER'S MANUAL



# WELCOME TO TROJAN FIREARMS

Trojan Firearms products are precision machined from aircraft grade aluminum for accuracy and durability. Our ergonomic designs allow for an enhanced overall experience. Precision machined for accuracy, billet aluminum for durability, ergonomic design for a comfortable and enjoyable experience. Our products aid in your ability to perform, whether you're on the range or in the trenches.

**ALWAYS READY**  
with Trojan Firearms

Our Team is  
**ALWAYS READY**  
to support you



## CUSTOMER SERVICE

Trojan Firearms thanks you for your patronage and strives to provide you with the highest quality firearms and components available. If you have any questions, please feel free to reach out to us anytime at [customerservice@trojanfirearms.com](mailto:customerservice@trojanfirearms.com) or contact your local sales representative.

## WARRANTY POLICY

Trojan Firearms offers a lifetime warranty against manufacturer defects and will aid you in the replacement of required parts resulting from normal wear and tear and in common need at reduced cost.

Please read our Warranty Policy and Register Your new firearm:  
<https://trojanfirearms.com/support/warranty/>

# WARNING

Please read the instructions and warnings contained in this manual BEFORE attempting to handle, load or utilize the Trojan Firearms models. Even if you are familiar with the standard AR-15, M-16, and/or M-4 family of firearms, you need to familiarize yourself with Trojan Firearms and their accessories before using them in any manner. Failure to do so could result in damage to the firearm, bodily injury to the shooter or bystanders, or even death.

Trojan Firearms are designed for factory manufactured cartridges only. Using hand-loaded, remanufactured, reloaded, or other non-standard ammunition could result in serious malfunction, damage to the firearm, or serious bodily injury to the shooter or bystanders, or even death. Trojan Firearms LLC is not liable for any damage to the weapon, bodily injury to person(s), or damage to any property resulting from the use or misuse of any firearm. This manual should accompany this firearm at all times. A replacement copy can be obtained anytime by visiting our website at <https://trojanfirearms.com>

The safety warnings are for the protection of the owner and operator of this Trojan Firearm as well as the safety of others. Disregarding information in this manual or failure to follow the basic rules of safe firearms handling can result in property damage, bodily injury, or even death.

- ➔ Always wear eye and hearing protection
- ➔ Handle every firearm as if it were loaded
- ➔ Always keep the muzzle pointed in a safe direction
- ➔ Never chamber a round until you are ready to shoot
- ➔ Safety selector is on "SAFE" or engaged until ready to fire

Please research, be aware, and assume all state, federal and local municipality laws and regulations. Assume safe handling as well as following safe storage keeping rules., DO NOT allow your TFA Firearm to be accessed by any unauthorized individuals. Trojan Firearms, LLC DOES NOT assume any liability whatsoever for the negligent or accidental discharge of a TFA Firearm or any components associated with Trojan Firearms LLC.

# DISCLAIMER

Trojan Firearms LLC (Trojan or TFA or Company) and its corporate affiliates shall not be responsible for any personal injury, death, or damage to property resulting from either intentional or accidental discharge of this firearm, or from its function when used for purposes or subjected to treatment for which it was not designed. Trojan will not honor claims involving this firearm which result from careless or improper handling, unauthorized adjustment or parts replacement, corrosion, neglect, or the use of wrong caliber ammunition, or any combination thereof. Only the use of commercially manufactured, high quality, brass cased, ammunition, in good condition will uphold the warranty. Trojan will not honor claims involving this firearm for any reason or cause when the second or subsequent owner makes such claims. Before the rifle left the factory, it was safety checked, tested, carefully inspected, and packaged. Trojan cannot control product handling after it leaves the factory; therefore, please examine this firearm carefully at the time of purchase to ensure that it is unloaded, undamaged, and comes with all parts and accessories as advertised on our website.

# TABLE OF CONTENTS

Welcome to Trojan Firearms	2
Warning and Disclaimer	3
<b>4 Cardinal Rules of Safety</b>	<b>6</b>
<b>General Handling Instructions</b>	<b>7</b>
<b>TFA Firearms Operation</b>	<b>8</b>
Operation of TFA “Chimera” and Standard Wall Selector	8
Operation of Bolt Catch	8
Loading Magazine	9
Loading the Rifle	9
Cleaning the Rifle	10
Breaking in Your New TFA Rifle	10
Firing Rifle	10
Field Stripping/Disassembly	11
Bolt Disassembly	12
<b>Cleaning and Lubrication</b>	<b>13</b>
General Cleaning	13
Cleaning the Bolt Carrier Group	13
Cleaning Upper Receiver	14
Upper Receiver Lubrication	14
Cleaning Lower Receiver	15
Lower Receiver Lubrication	15
<b>Reassembly</b>	<b>16</b>
Adjusting Trigger Weight	17
Adjusting “Chimera” Safety Selector	18
Function and Safety Check	19
Troubleshooting	20

# FOUR (4) CARDINAL RULES OF FIREARMS SAFETY

## 1. **Treat all firearms as if they are loaded.**

Always assume that a firearm is loaded even if you think it is unloaded. Every time a firearm is handled, ALWAYS check to see that it is unloaded. If you are unable to check a firearm to see if it is unloaded, leave it alone and seek help from someone more knowledgeable about firearms.

## 2. **Keep the firearm pointed in the safest possible direction.**

Always be aware of where a firearm is pointing. A “safe direction” is one where a negligent discharge of the firearm will not cause injury or damage. Only point a firearm at an object you intend to shoot. Never point a firearm toward yourself or another person.

## 3. **Keep your FINGER OFF the trigger until you are ready to shoot EVEN WHEN IT IS ON “SAFE.”**

Always keep your finger off the trigger and outside the trigger guard until you are ready to shoot. Even though it may be comfortable to rest your finger on the trigger, it also is unsafe. If you are moving around with your finger on the trigger and stumble or fall, you could inadvertently pull the trigger. Sudden loud noises or movements can result in an accidental discharge because there is a natural tendency to tighten the muscles when startled. The trigger is for firing and the handle is for handling.

## 4. **Know your target, its surroundings and beyond.**

Check that the areas in front of and behind your target are safe before shooting. Be aware that if the bullet misses or completely passes through the target, it could strike a person or object. Identify the target and make sure it is what you intend to shoot. If you are in doubt, DO NOT SHOOT! Never fire at a target that is only a movement, color, sound, or unidentifiable shape. Be aware of all the people around you before you shoot.

# GENERAL HANDLING INSTRUCTIONS

General handling rules and instructions that apply to all Trojan firearms and products:

1. Always keep the muzzle pointed in a safe direction
2. Firearms actions should be open and should be unloaded when not actually in use
3. Keep your finger off the trigger until you are ready to shoot
4. Never leave a loaded firearm unattended
5. Be sure of your target and what's beyond it
6. Always wear eye and ear protection when shooting
7. Never consume drugs or alcohol before or during shooting
8. Always keep the firearm on "SAFE" and only take it off "SAFE" when ready to fire
9. Use correct caliber ammunition as per stated on each rifle model
10. Never "play" or use your firearm for anything else other than its intended use
11. If your gun fails to fire when the trigger is pulled, handle with care
12. Be sure the barrel is clear of obstructions before shooting
13. Learn the mechanical and handling characteristics of the firearm you are using

# OPERATION OF TFA “CHIMERA” AND STANDARD WALL SELECTOR

The manual safety mechanism is located above the trigger on the left side (and right if ambidextrous equipped) of the lower receiver. The safety can be moved to “SAFE” anytime the hammer is cocked. When the safety is on, it blocks the trigger. The safety should always be kept in “SAFE” mode when loading or unloading the firearm and should be kept in “SAFE” mode at all times unless actually firing the firearm. Firearms are in the “SAFE” position when the lever is in a horizontal position. When the safety selector is in the 90 degree position, it is on “FIRE.”

The “Chimera” Safety for the Helen is set from the factory to appear as though it is in “fire” mode on the right side of the receiver, and it is in “safe” mode on the left side of the receiver. When it is on “fire” on the left side of the receiver the chimera safety will turn to the “third” position on the right side, this function is to ensure the selector is away from the shooters hand (for right hand shooters). For instructions on how to adjust the safety selector to be a traditional 90 degree ambidextrous safety selector, please see page 17 (For HELEN models only).

## OPERATION OF BOLT CATCH

TROJAN Firearms’ Helen and Wall models are designed so that the bolt will remain open after the last shot has been fired, provided there is a magazine in the firearm. When the magazine is empty, the magazine follower engages the bolt catch, which retains the bolt carrier group (BCG), in the rearward position. **\*Note: Does not apply to RAZE and RAZE ILAND models.**

**WARNING:** The bolt catch is NOT a safety device. It should not be used to hold back the bolt when there are cartridges in the magazine. A slight jar to the butt end of the firearm can cause the bolt catch to disengage and to feed a cartridge into the chamber.

The bolt catch should be used to hold the bolt in its rearward position only when the chamber is empty, and an empty magazine is in place. The bolt catch is there for convenience when changing magazines. **To hold the carrier open:**

- ➊ Pull the charging handle all the way to the rear
- ➋ Depress the bottom part of the bolt catch plunger and allow the bolt carrier to move forward until it stops.



# LOADING A MAGAZINE

Use only ammunition for which your rifle is chambered. With the front of the magazine pointing forward, place a round between the lips (bullet facing forward). Press the round down until it is retained by the magazine lips. It will “click” into place. Place the next round on top of the last and repeat until the desired number of rounds are loaded. Do not over load the magazine.

# LOADING THE RIFLE

- Press the bottom of the bolt catch in while pulling all the way back on the charging handle. When the bolt travels far enough to the rear, the bolt catch will click into place and hold the bolt open.
- Push the charging handle to its full forward position until it locks in place. Remove finger from the bolt catch.
- Rotate safety selector to the “SAFE” position.
- With the bullets pointing forward, insert the loaded magazine into the magazine well and push it up until it stops. It should click in place. If not then take 2 rounds out of the magazine and repeat. Gently tug on the magazine to make sure it is fully seated.
- With the rifle pointed in a safe direction, press in on the top of the bolt catch. This will release the bolt, and insert a round in the chamber.

**Make sure the rifle is pointed in a safe direction and the safety is engaged at all times while loading/unloading the rifle. NEVER allow your fingers or any other objects to contact the trigger while loading/unloading the rifle. DO NOT disengage the safety until you are ready to fire and have pointed the rifle safely towards the range.**

# CLEANING THE RIFLE

Cleaning the rifle is the exact same operation as unloading it, except the bolt catch is engaged during the clearing operation (with the exception of the RAZE and RAZE ILAND) to show an empty chamber. If you are going to set your rifle on a table or bench, lay it down with the ejection port side facing up, magazine removed, and bolt locked to the rear. If you are using a RAZE or RAZE ILAND, please use a chamber safety indicator.

# BREAKING IN YOUR NEW TFA RIFLE

Your TFA rifle has been precision CNC machined and should not need any special break-in procedure other than basic cleaning and lubrication before first use. However please allow up to 200 rounds for a “break in” period as there may be burrs, sharp corners, or rough edges from the machining process that need to be smoothed out by firing it.

# FIRING THE RIFLE

**Never load a cartridge into the chamber until you are ready to fire the rifle.**

**Other rules:**

- DO NOT disengage the safety until the rifle is pointed in a safe direction and you are ready to fire
- Always wear eye and ear protection when firing your rifle
- Load the rifle as previously described in page 9 of this manual
- Grasp the rifle with one hand on the forend and one hand alongside the trigger guard
- Raise the rifle and pull the butt stock firmly into your shoulder
- Aim by aligning the target with the front and rear sights
- Rotate the safety selector lever to “FIRE”
- Gently squeeze the trigger until the rifle discharges (This rifle is a semi automatic, meaning that it will automatically load the next round in the chamber. It will only fire one shot for each pull of the trigger)
- When you are finished shooting, immediately place the rifle on “SAFE” and follow unloading procedures

# FIELD STRIPPING/DISASSEMBLY

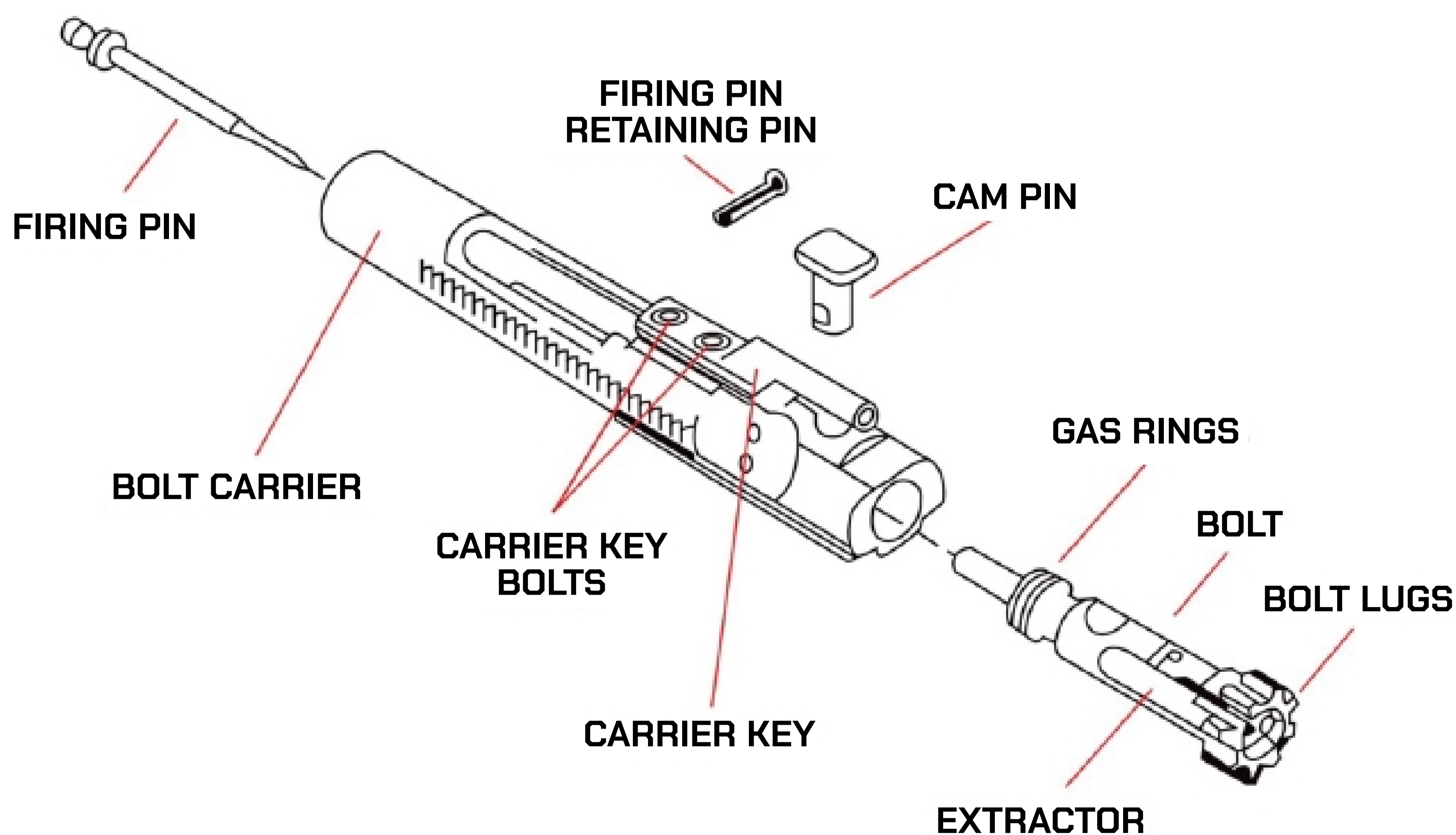
- ➔ Press the take down pin in from the left side of the lower receiver. (It may be necessary to use a polymer takedown punch as the fit between upper/lower is tighter than standard AR-type rifles).
- ➔ Pivot the lower receiver down, away from the upper receiver.
- ➔ Press the front pivot pin in from the left, and then pull it out the right side until it stops.
- ➔ You can now separate the upper and lower receivers.
- ➔ Pull the charging handle to the rear, and pull the bolt carrier completely out (Pictured)
- ➔ Remove the charging handle by pulling it back until it stops in the key way, pull it straight down, then out of the receiver.

# BOLT DISASSEMBLY

Your TFA rifle has been precision CNC machined and should not need any special break-in procedure other than basic cleaning and lubrication before first use. However please allow up to 200 rounds for a “break in” period as there may be burrs, sharp corners, or rough edges from the machining process that need to be smoothed out by firing it.

- Using a 1/16” punch, push in the firing pin retaining pin right to left and pull it completely out.
- Tilt the bolt face up and remove the firing pin. (You may need to tap the bottom of the bolt carrier on a hard surface to start the firing pin moving rearward).
- Push the bolt into the carrier until it stops. Turn the cam pin 90 degrees and lift it out of the slot.
- Pull the bolt forward out of the carrier. The bolt is now field stripped.

## BOLT & CARRIER DIAGRAM



# GENERAL CLEANING

To clean TFA Firearms you will need:

- ➔ Cleaning patches
- ➔ Gun Lubricant
- ➔ Cleaning rod with soft brush
- ➔ Toothbrush or parts brush
- ➔ Cleaner & Solvent
- ➔ Rags or paper towels
- ➔ Newspaper or a solvent mat
- ➔ Latex/Nitrile gloves
- ➔ Q-tips for tight areas
- ➔ Gas tube pipe cleaners

**Lead Warning:** Cleaning firearms or handling ammunition may result in exposure to lead and other substances known to cause birth defects, reproductive harm, and other serious physical injury. Wash hands thoroughly with cold water after cleaning your rifle.

## CLEANING THE BOLT CARRIER GROUP

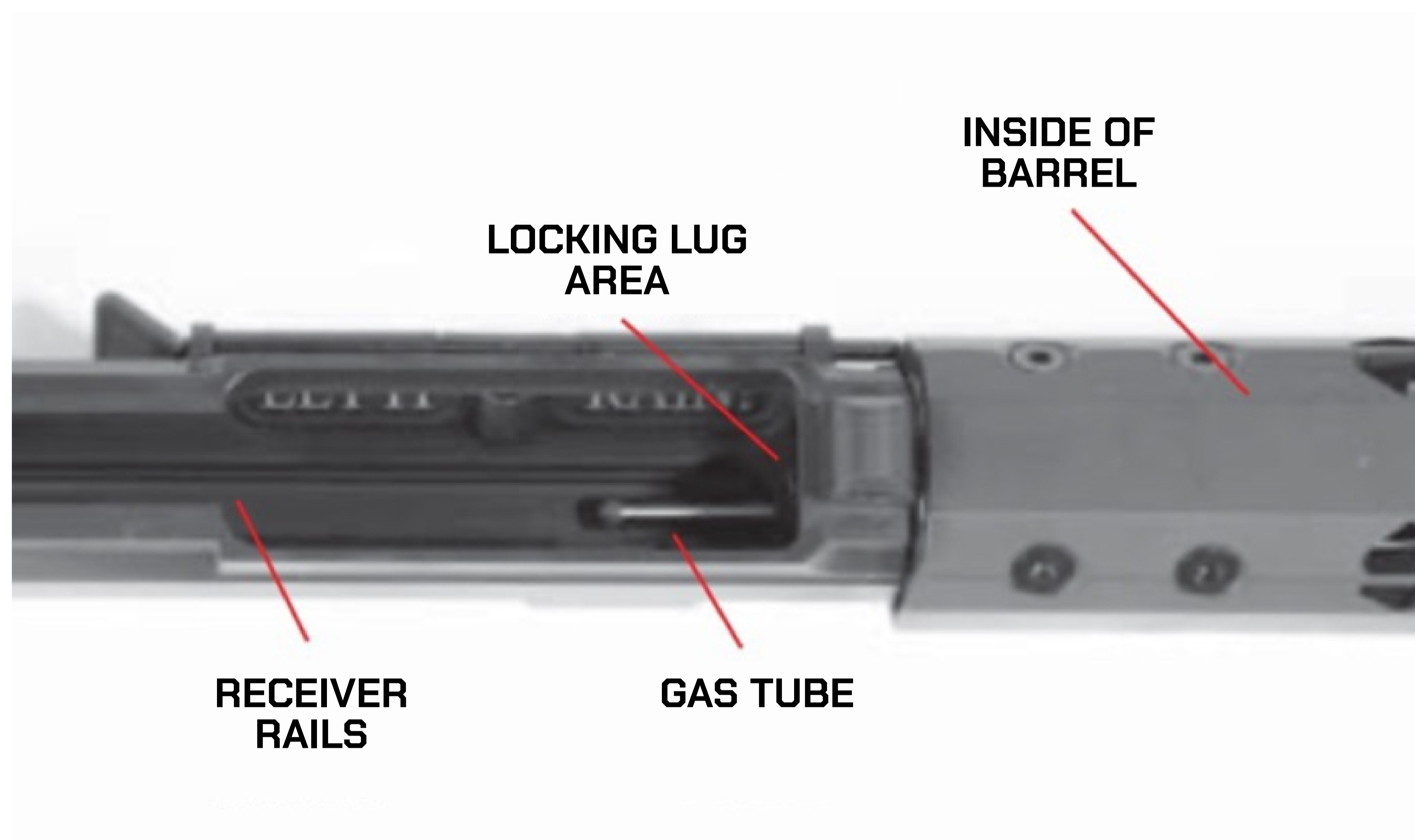
Bolt carrier group cleaning rules:

- ➔ Clean the outside and inside surfaces of the bolt carrier
- ➔ Clean the carrier key, firing pin, and firing pin recess
- ➔ Clean the firing pin hole with a pipe cleaner
- ➔ Scrub the locking lugs with a brush to remove carbon
- ➔ Areas behind the bolt ring and under the extractor lip
- ➔ Clean carbon build up from all small parts

*See diagram on pg. 12 for bolt parts. Make sure to remove any carbon build up from behind the gas rings. Also check to make sure the gas rings are evenly spaced. If not, spread them apart equally with a dental pick or paper clip.*

# CLEANING UPPER RECEIVER

Clean the areas shown in the below picture. Be sure to use a coated cleaning rod when cleaning the barrel to prevent damage. Pull a few wet patches through, then dry ones until they come out clean. Avoid using abrasive brushes.



# UPPER RECEIVER LUBRICATION

## Lightly Lube with Gun Lubricant:

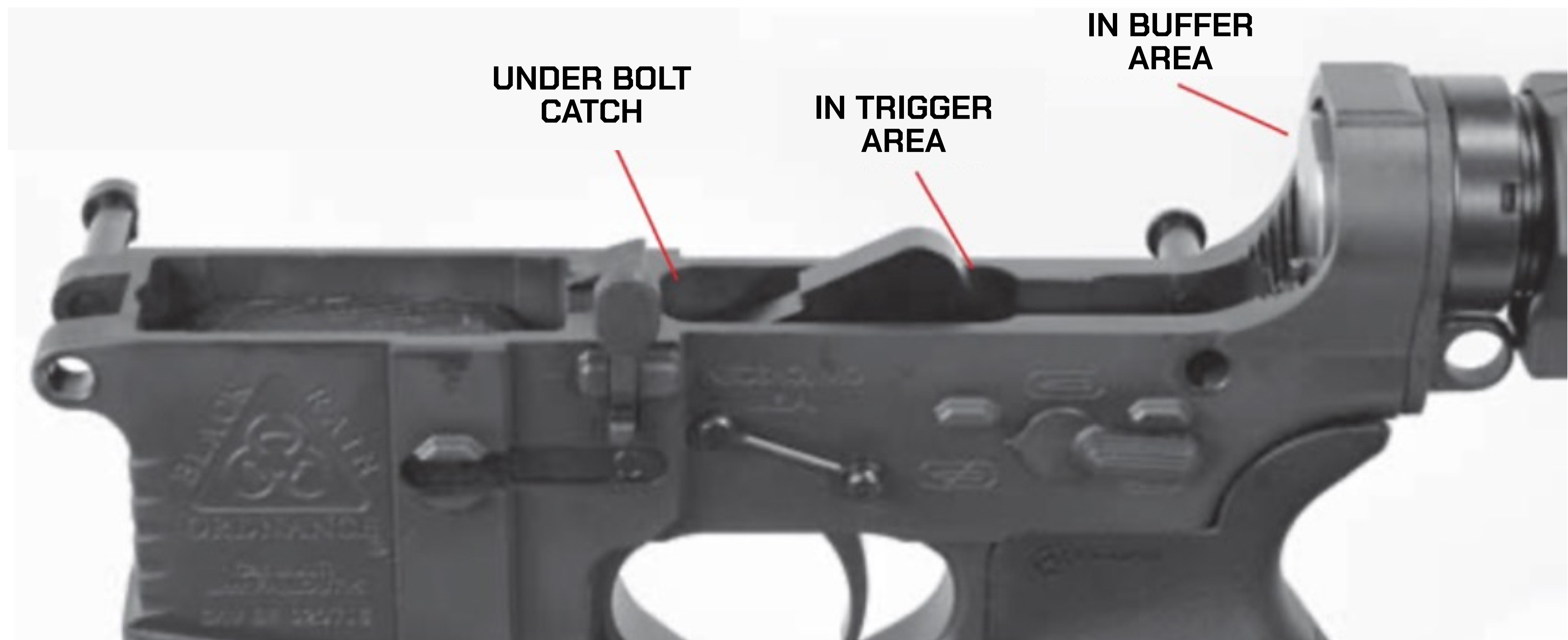
- ➔ Bore and chamber.
- ➔ Inside upper receiver rails where the bolt contacts
- ➔ Outside of charging handle and inside where bolt carrier rides
- ➔ Outside surfaces of bolt carrier
- ➔ Firing pin and inside of firing pin recess
- ➔ Place one drop of oil in carrier key recess

## Generously Lube with True Blue Gun Lubricant:

- ➔ Outer surface of bolt body including gas rings
- ➔ Cam pin

# CLEANING LOWER RECEIVER

Be sure to clean any area that shows carbon build up. When cleaning the buffer tube area be sure to wipe down the buffer and spring.



# LOWER RECEIVER LUBRICATION

**Lightly Lube with Gun Lubricant:**

- ➔ Lightly Lube with True Blue Gun Lubricant
- ➔ Action, Spring, Buffer, and Buffer Tube
- ➔ Generously Lube with Gun Lubricant
- ➔ Place one drop of lubricant on the takedown pin and pivot pin
- ➔ Lube the inside lower receiver parts
- ➔ Inspect all parts for wear or damage before assembling
- ➔ If any parts show wear or damage, contact Trojan Firearms LLC immediately

# REASSEMBLY

## Be Sure Firearm and Magazines are Completely Unloaded!

### 1. Reassemble the charging handle and bolt carrier into the upper receiver:

- ➔ Turn the upper receiver upside down so that the top of the rifle is pointing toward the ground.
- ➔ Install the charging handle with the pickup lug pointing up.
- ➔ Put the charging handle into the upper, line up the locator tabs with the corresponding cut in the upper and drop the charging handle into the charging hand slot.
- ➔ Turn the bolt carrier upside down and after making sure the bolt is fully forward, place the key of the bolt carrier in channel of the charging handle, then push both the bolt carrier and the charging handle forward until the charging handle latch engages the upper receiver.

### 2. Care should be taken not to turn the upper receiver so that the bolt carrier can slide out the back of the upper receiver while the charging handle is unlocked.

The bolt carrier will not fall out of the upper receiver as long as the charging handle is locked on the upper receiver.

### 3. Assemble the upper receiver to the lower receiver:

- ➔ Make sure the hammer is cocked, place the selector on "SAFE", and make sure both the take down pin and pivot pin are pushed completely to the right side of the lower receiver.
- ➔ Make sure the bolt carrier is all the way forward in the upper receiver.
- ➔ Put the upper receiver onto the lower receiver and slide the upper receiver all the way rearward against the threaded section for the butt stock.
- ➔ Push the pivot pin into the receiver until the detent locks in the hole in the pivot pin.
- ➔ Push the take down pin into the receiver until the detent locks in the hole in the take down pin.

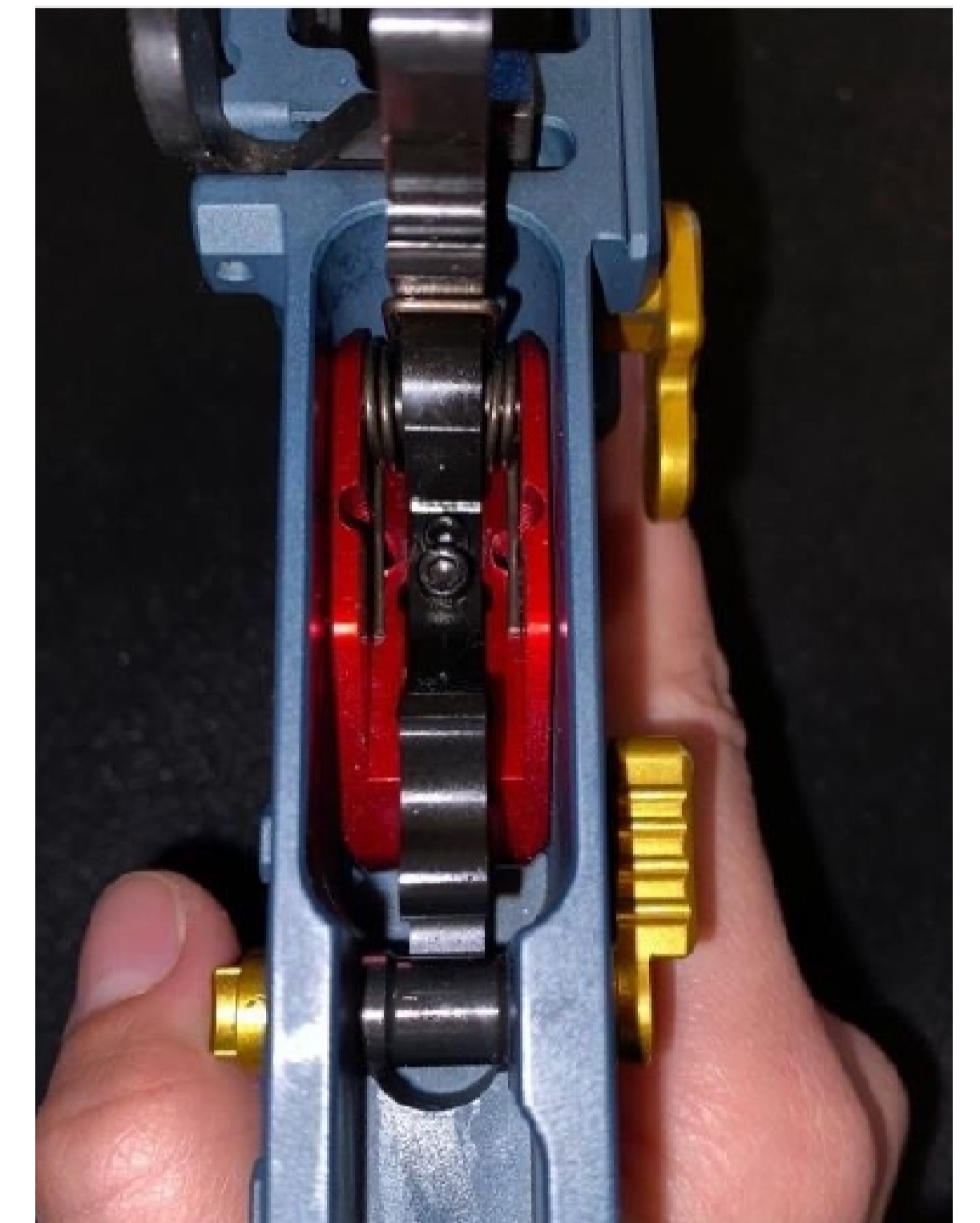


# ADJUSTING TRIGGER WEIGHT

Adjusting the trigger weight on Your TFA Firearm (All TFA models)

– see image on the right.

- ➔ Ensure Firearm Is unloaded
- ➔ Separate Upper Receiver From Lower Receiver
- ➔ Disassembly for removing upper from lower receiver:  
On the left-hand side of the lower receiver push the rear take down pin to the right. From the right side of the rifle, pull the pin outward until the detent stops any additional travel.
- ➔ If desired, remove the upper receiver from the lower receiver by pushing the pivot pin on the left side of the lower receiver to the right. Reach to the right hand side of the lower receiver and pull the pivot pin to the right until the detent stops any additional travel.
- ➔ Move selector To “Fire”
- ➔ Pull trigger to move hammer forward
- ➔ Loosen set screw, using standard 3/32 Allen wrench in a counter-clockwise direction
- ➔ Once the set screw is loosened you are ready to adjust the weight of your TFA Trigger
- ➔ To adjust trigger weight, using standard 5/16 Allen wrench to adjust the trigger weight screw closet to the hammer
- ➔ To decrease the trigger pull weight, turn the hex key in a counter-clockwise direction in quarter increments, testing weight by resetting hammer, pulling the trigger using a trigger pull weight gauge until desired weight is achieved.
- ➔ To increase trigger pull weight, turn Allen wrench in a clockwise direction in quarter turn increments, testing weight by resetting hammer, pulling the trigger using a trigger pull weight gauge until desired weight is achieved.
- ➔ Once trigger pull weight is desired re-tighten set screw and reset hammer.
- ➔ Assemble the upper receiver to the lower receiver: make sure the hammer is cocked, place the selector on “safe”, and make sure both the take down pin and pivot pin are pushed completely to the right side of the lower receiver.
- ➔ Complete a fire/safety function check **(see page 19 for instructions)**



# ADJUSTING “CHIMERA SAFETY SELECTOR” TO TRADITIONAL 90 DEGREE AMBIDEXTROUS SAFETY SELECTOR

**Note: applies only to TFA Helen and Troy Model Rifles**

- ➔ Ensure firearm is unloaded and pointed in a safe direction
- ➔ On the right side of the receiver, use a 1/16 Allen key, to loosen the screw (by rotating counterclockwise) holding the right piece of the chimera safety selector in place
- ➔ Once screw is removed, rotate the chimera selector piece 90 degrees where the tail end of the selector is towards the end of the buttstock and the arrow tip of the selector is pointing towards the magazine release button
- ➔ Ensure the selector piece notch is mating with the horizontal slot of the cross
- ➔ Once in place, reinsert the screw, tighten until the screw is bottomed out on the selector and cannot tighten anymore
- ➔ **Function Check - *(see page 19 for instructions)***

# FUNCTION CHECK

- ➔ **Ensure Firearm is UNLOADED, and magazine is REMOVED**
- ➔ Point rifle in safe direction
- ➔ Place the selector on “fire”
- ➔ Pull the trigger and hold to the rear, the hammer should fall
- ➔ Pull the charging handle to the rear and release
- ➔ Release the trigger and pull again, hammer should fall and you should hear an audible “click”

# SAFETY CHECK

- ➔ **Ensure Firearm is UNLOADED, and magazine is REMOVED**
- ➔ Point rifle in a safe direction
- ➔ Place selector on “safe”
- ➔ Pull the charging handle to the rear and release
- ➔ Place on safe, pull the trigger
- ➔ The hammer should not fall, if it does contact Trojan Firearms IMMEDIATELY!

# TROUBLESHOOTING

**Problem1:** Double feeding

**Causes:** Bad magazine or improper ammunition

**Solution:** Replace magazine and ammunition

**Problem2:** Stove pipe

**Causes:** Poor ammunition, bad magazine, potentially worn down buffer spring

**Solution:** Replace magazine and ammunition, if problem persists please contact Trojan Firearms

**Problem3:** Trigger won't reset

**Causes:** Trigger pull weight is too low

**Solution:** Re-Adjust trigger weight, if problem persists, please contact Trojan Firearms

**Problem4:** "Bump firing" or "binary firing"

**Causes:** Trigger pull weight is too low

**Solution:** Adjust trigger, increase trigger pull weight, if problem persists, please contact Trojan Firearms

**Problem5:** Won't extract

**Causes:** Broken extractor, dirty or bad ammunition, fouling/carbon build up in extractor recess

**Solution:** Clean BCG Bolt Carrier Group, ensuring extractor is clean, lubricate. If problem persists, please contact Trojan Firearms.